



LOGIC COMBI ES.

24 30 35

HIGH EFFICIENCY COMBINATION BOILERS.

Optimised for new build compliance following the SAP 2009 design procedure, the Logic Combi ES is particularly beneficial for new build properties.



LOGIC COMBI ES

- Complete range of Logic combination boilers for social new build developers
- Achieves optimum SAP and DER ratings for standard combination boiler usage
- 75mm deep translucent condensate siphon
- Fully modulating operation to low outputs
- Automatic bypass

RELIABLE

- Energy Saving Trust endorsed product
- Flexible warranty
- Boiler frost protection
- Built-in, easy to use filling loop
- Simple diverter valve design
- Two stage flame sensing for greater reliability
- Latest generation Honeywell gas valve
- Prepared for 2015 EU legislation

EASY TO INSTALL

- Compact cupboard fit
- Fast fix flues
- Wide range of additional flueing options
- Low lift weight (32kg)
- Easy access to PRV and AAV
- Preformed copper tails
- Pre-wired mains lead (2m)
- Universal condensate connection
- Stand-off kit including piping option
- Compatible with a range of additional controls inc. weather compensation
- LPG conversion kit available for 30 kW boilers



Compact



LPG Conversion Kit*



Frost Protection



Flue Variants



NOx Class 5



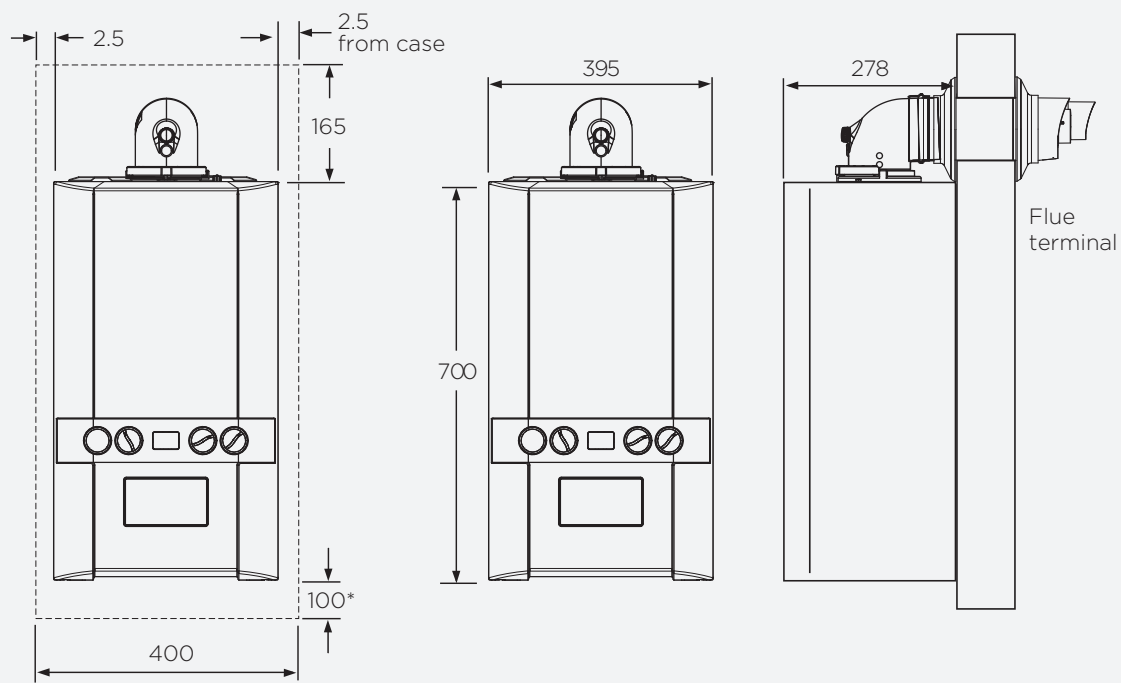
Ideal Boilers
PO Box 103, National Avenue
Kingston upon Hull
East Yorkshire, HU5 4JN

T: 01482 492251
ideal@idealboilers.com

WWW.IDEALBOILERS.COM

* Available with 30 kW model.

CLEARANCES & DIMENSIONS.



Note: The minimum front clearance when built-in to a cupboard is 5mm from the cupboard door but 450mm overall clearance with the cupboard door open is required for servicing. *Bottom clearance after installation can be reduced to 5mm. However, 100mm is required for servicing.

FLUE LENGTHS.

	COMBI ES 24	COMBI ES 30	COMBI ES 35
Max horizontal**	9m	8m	6m
Max vertical**		7.5m	
Powered vertical†		22m	

Available flue extensions 0.5m, 1m and 2m. Available kits: high level flue outlet kit.
 ** Each 90° elbow used is at the expense of 1000mm of straight flue run, and each 45° elbow is used at the expense of 600mm of straight flue run.
 † Typical combined primary and secondary length. See installation instructions for more details. Note: The Flue Deflector Kit is used at the expense of 1000mm of straight flue run.

TECHNICAL SPECIFICATIONS.

	COMBI ES 24	COMBI ES 30	COMBI ES 35
Height mm		700	
Width mm		395	
Depth mm		278	
Weight (packaged) kg	36.3	36.5	36.5
Max installation weight kg	31.8	32	32
CH output (kW) min/max @ 70°C	4.8 - 24.2	6.1 - 24.2	7.1 - 24.2
CH output (kW) min/max @ 40°C	5.1 - 25.6	6.4 - 25.6	7.5 - 25.6
DHW output (kW) max	24.2	30.3	35.3
DHW flow rate l/min. 35°C rise	9.9	12.4	14.5
SEDBUK rating (2005) %	91.0	91.1	91.0
SEDBUK rating (2009) %	89.0	89.0	88.9
NOx classification		CLASS 5	
Adjustable to LPG	No	Yes	No